

FPR2000



The all billet FPR range has been designed as a high performance EFI regulator. Suitable for both electric and mechanical fuel pumps. Suitable for any fuel type, featuring a MILSPEC diaphragm and stainless-steel internals. Turbosmart FPR regulators have the best fuel regulation control properties on the market, providing you with ultimate fuel control.

- Suitable for 1500kW//2000hp+ fuel systems (any fuel type)*
- -8 AN port fittings
- MILSPEC diaphragm
- Suitable for all fuels
- Non-directional inlet feed logic
- 1:1 true reference pressure ratio
- 30-90psi base pressure adjustable

Mechanical Data

Control diameter	8mm
Mass	252g
Safe working pressure max.	1240 kPag / 180 psi / 12 bar
Actuator life	>10000k cycles @ 180°C ambient
Piston pressure bias	1:1
Max. spring base pressure	620 kPag // 90 psi // 6.2 bar
Min. spring base pressure	207 kPag // 30psi // 2 bar
Port fittings type	Signal: 1/16" NPT Inlet: 2x -8 AN Outlet: 1x -8 AN Gauge: 1x 1/8" NPT

Thermal Data

Min. Operating Temperature	-30°C
Max. Operating Temperature	200°C

Flow Data

Max. Flow (through return)	2000 LPH @ 50psidP
Regulation Slope	0.003psi/LPH

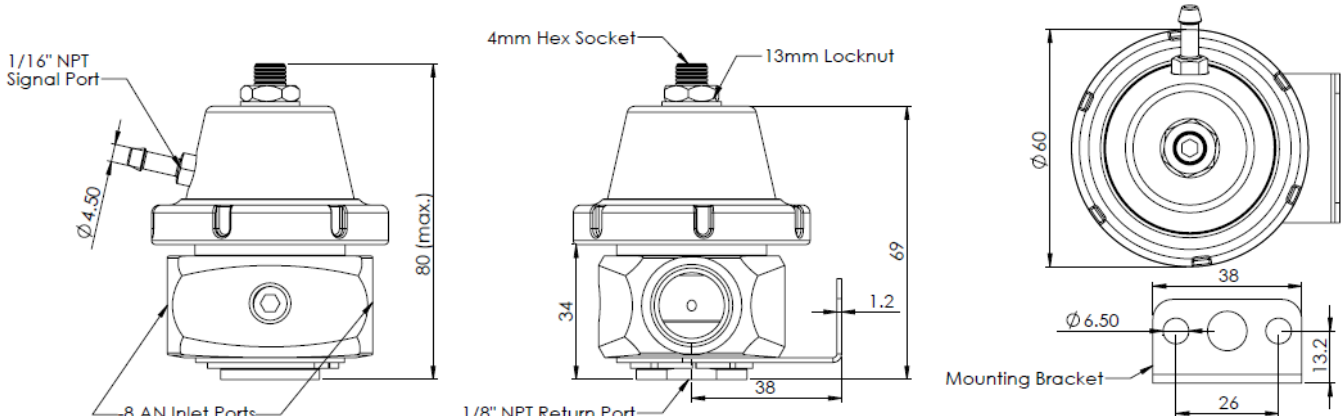
Material Data

Beryllium (Be)	0%
Main body	6061 T6 anodised Al.
Valve	Stainless Steel
Valve Seat	Stainless Steel
Elastomers	Viton
Diaphragm	Proprietary MILSPEC
Springs	Range 2 Zinc Plated

Order Data

Refer to catalogue for accessories

TS-0401-1105	FPR2000 -8 AN Blue
TS-0401-1106	FPR2000 -8 AN Black
TS-0401-1111	FPR2000 -8 AN Purple
TS-0401-1112	FPR2000 -8 AN Red
TS-0402-2023	0-100psi Liquid Filled Gauge
TS-0402-1131	FPR Billet 10um -8AN Filter
TS-0402-1140	FPR Billet Filter Bracket - Black



*Power calculated is using industry average values, please allow for some safety margin for your application, if in doubt, the next size up regulator is a safe decision.