

Wastegates/External Wastegate

Gen-V WG38 Ultra-Gate38



The Gen-V WG38 Ultragate38 external wastegate is a cost effective, high performing 38mm external wastegate designed for bolt on solutions where the 2-bolt flange is utilised. The Gen-V provides extensive user configurability, world leading extended thermal performance, fatigue resistance and best in class flow performance for optimum control and longevity.

- Liquid cooling provision
- User adjustable actuator position
- Modular actuator design
- Suitable for 2 bolt flange applications (71 mm spacing)

MECHANICAL DATA

Valve diameter	38mm
Mass	860g
Linearity	-1.13% of full lift (BFSL)
Set pressure accuracy	+/- 0.5 psi of base pressure
Safe working pressure max.	220 psi / 1520 kPa / 15 bar
Safe inverted pressure max.	180 psi / 1250 kPa / 12.5 bar
Actuator life	750k cycles @ 180°C ambient 1000k cycles @ 80°C ambient
Actuator/Valve ratio	2.17:1
Max. spring base pressure	26 psi / 180 kPa / 1.8 bar
Min. spring base pressure	3 psi / 21 kPa / 0.2 bar
Port fittings type	Air: 2x 1/8" NPT top chamber Air: 2x 1/8" NPT lower chamber Liquid Cooling: 2x 1/8" NPT

THERMAL DATA

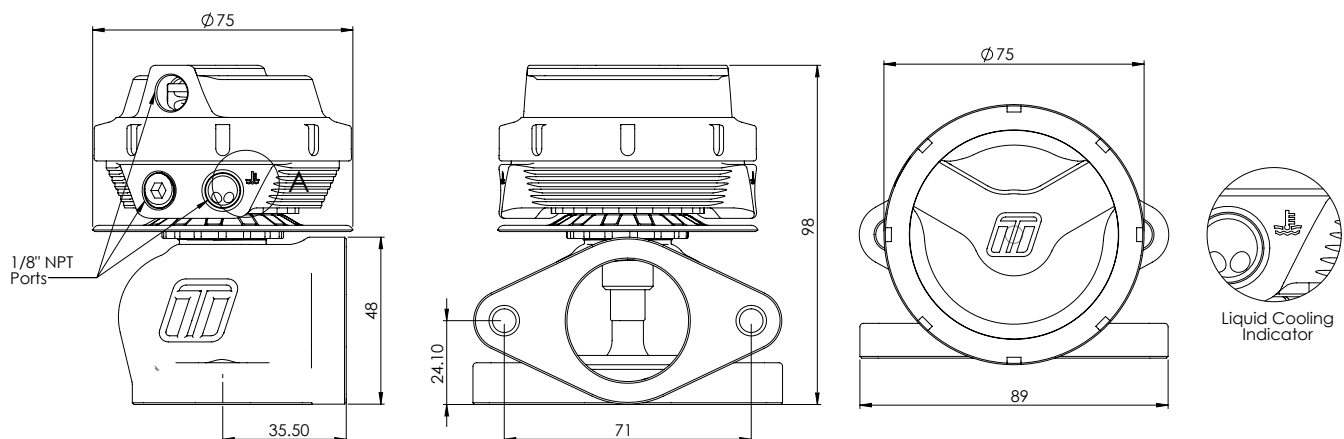
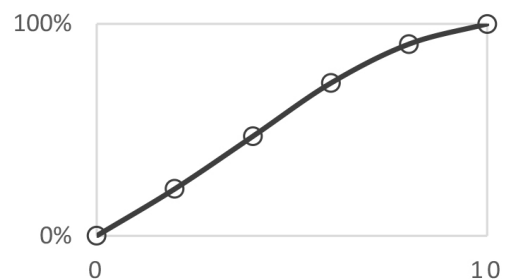
Max. thermal stress (non-cooled)*	>30min @ 1250°C EGT continuous
Max. thermal stress (h2O cooled)*	>24hr @ 1250°C EGT continuous
Max. ambient/compartament temp.	260°C / 500°F
Max. actuator temp.	310°C / 590°F

MATERIAL DATA

Main Body	High temp 347 SS
Diaphragm	Proprietary Silicone w/ nomex
Actuator housing	6061 T6 anodised Al.
Valve Guide	Nitronic 60
Valve	EV8 w/ proprietary plating
V-Band	Heat treated 431 SS w/ 18-8 nut
Springs	17/7 PH Stainless Steel
Beryllium (Be)	0%

FLOW DATA

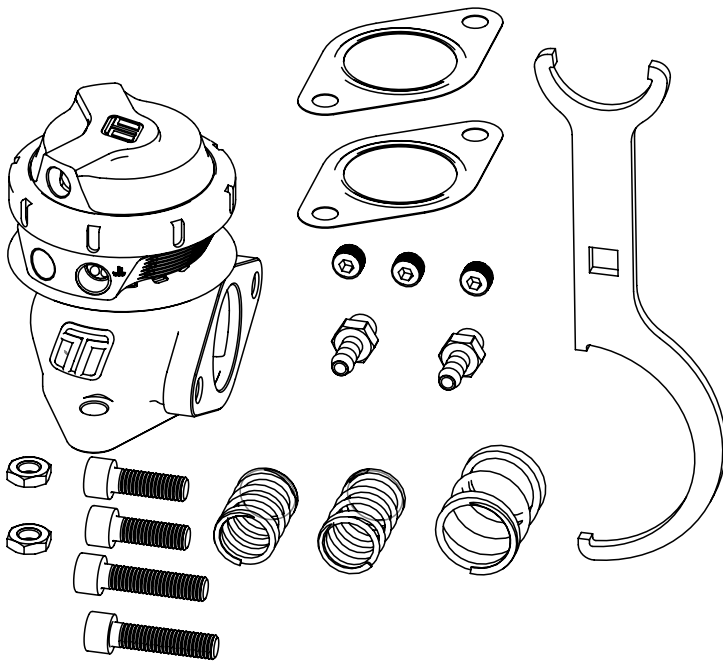
Max. Flow	116 CFM/3.28 m ³ /min @1psidP
Flow Linearity	-11% of full lift (BFSL)



*Continual source of minimum 1250°C exhaust gas, with no cool down periods for at least 30minutes and no external air cooling on actuator, this is a destructive test that an ICE engine cannot support. Contact tech support for further information.

INCLUDED IN THE BOX

- Wastegate unit (pre-assembled with spring as per order)
- SS316 Valve seat
- WG38 SS manifold gaskets
- Mounting Bolts and Nuts
- Collar tool (master/slave)
- 17/7 PH 3, 5, 7, 14 psi spring kit (1x spring installed)
- 4x 1/8" NPT plugs (1x installed) / 2x 1/8" NPT nipples
- Sticker
- Instruction card



SPRING DATA

Wastegate Size	Spring Pressure			
	3psi	5psi	7psi	14psi
WG38/40	Black	Grey	Pink	Red

ORDER DATA

TS-0551-1001	Gen-V WG38 Ultragate 38 7psi Blue
TS-0551-1002	Gen-V WG38 Ultragate 38 7psi Black
TS-0551-1011	Gen-V WG38 Ultragate 38 14psi Blue
TS-0551-1012	Gen-V WG38 Ultragate 38 14psi Black

ACCESSORIES

TS-0551-3001	WG38 Valve Seat
TS-0551-3002	WG38 Valve & Guide Set
TS-0501-3002	WG38 Manifold Gaskets
TS-0501-2001	WG38 Weld Flanges - Stainless Steel
TS-0552-2002	WG38 Weld Flanges - Mild Steel
TS-0550-3022	WG38/40 Sensor Cap Upgrade Kit Black (sensor included)
TS-0550-3023	WG38/40 Sensor Cap Upgrade Kit Blue (sensor included)
TS-0550-3004	WG38/40 Diaphragm Replacement Kit
TS-0550-3013	WG38/40 Actuator Collar Tool

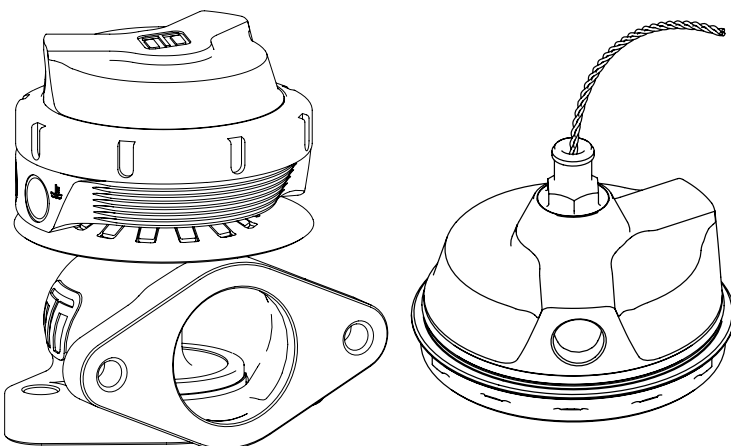
Refer to website for further accessories

INSTALL REQ.

Inlet Pipe	38.1mm / 1.5" OD - *Flange required
Outlet Pipe	38.1mm / 1.5" OD - *Flange required
Port Tube Min. ID	6mm / 0.236"

	Location	Inner	Inner	Middle	Outer
	Pressure	3psi	5psi	7psi	14psi
Boost Pressure	3psi	•			
	5psi		•		
	7psi			•	
	10psi	•			
	12psi		•	•	
	14psi				•
	17psi	•			•
	19psi		•		•
	21psi			•	•
	24psi	•		•	•
26psi		•	•	•	

CONFIGURATIONS AVAILABLE



STANDARD

SENSOR CAP