

FPR Kompact LP (Low Pressure)



The FPR Kompact LP (Low Pressure) Series includes (1/8NPT up to -10) Fuel Fittings sizes. Providing class leading fuel control and response with a small footprint for Carburettor cars. Suitable for any fuel type, featuring a MILSPEC diaphragm and stainless-steel internals. Turbosmart FPR regulators have the best fuel regulation control properties on the market, providing you with ultimate fuel control.

- 1/8" NPT Gauge fitting
- MILSPEC diaphragm
- Suitable for all fuels
- Non-directional inlet feed logic
- 3-20psi base pressure adjustable

Mechanical Data	1/8" NPT	-6	-8	-10
Control diameter	4mm	6mm	8mm	12.5mm
Mass	294g	304g	300g	411g
Horsepower Rating	800hp	1200hp	2000hp	3000hp
Safe working pressure max.	1240 kPag / 180 psi / 12 bar			
Actuator life	>10000k cycles @ 180°C ambient			
Max. spring base pressure	137 kPag // 20 psi // 1.37 bar			
Min. spring base pressure	20 kPag // 3psi // 0.26 bar			
Port fittings type				
Signal:	1/16" NPT			
Inlet:	1/8" NPT	1x-6AN	1x-8AN	1x-10AN
Outlet:	1/8" NPT	1x-6AN	1x-8AN	1x-10AN
Return:	1/8" NPT	1x-6AN	1x-8AN	1x-10AN

Material Data	
Beryllium (Be)	0%
Main body	6262 T6 anodised Al.
Valve	Stainless Steel
Valve Seat	Stainless Steel
Elastomers	Viton
Diaphragm	Proprietary MILSPEC
Springs	17-7 Stainless Steel

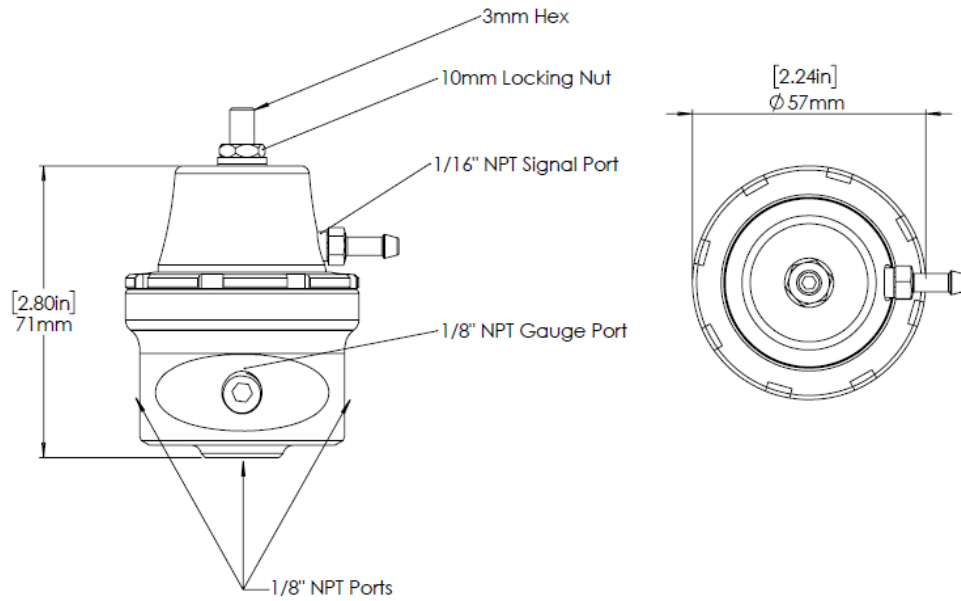
Order Data	<i>Refer to catalogue for accessories</i>
TS-0404-1115	FPR Kompact (1/8"NPT LP) Sleeper
TS-0404-1121	FPR6 LP Black
TS-0404-1132	FPR8 LP Black
TS-0404-1142	FPR10 LP Black
TS-0402-2023	0-100psi Liquid Filled Gauge
TS-0402-1107	FPR Fitting Kit – 1/8" NPT to 6mm
TS-0402-1108	FPR Fitting Kit – 1/8" NPT to 8mm
TS-0402-1112	FPR Fitting Kit – 1/8" NPT to -6AN
TS-0402-1115	FPR Fitting Kit 1/8 NPT -10mm
TS-0402-1123	1/8" NPT to 1/8" NPT Female 90°

Thermal Data	
Min. Operating Temperature	-30°C
Max. Operating Temperature	200°C

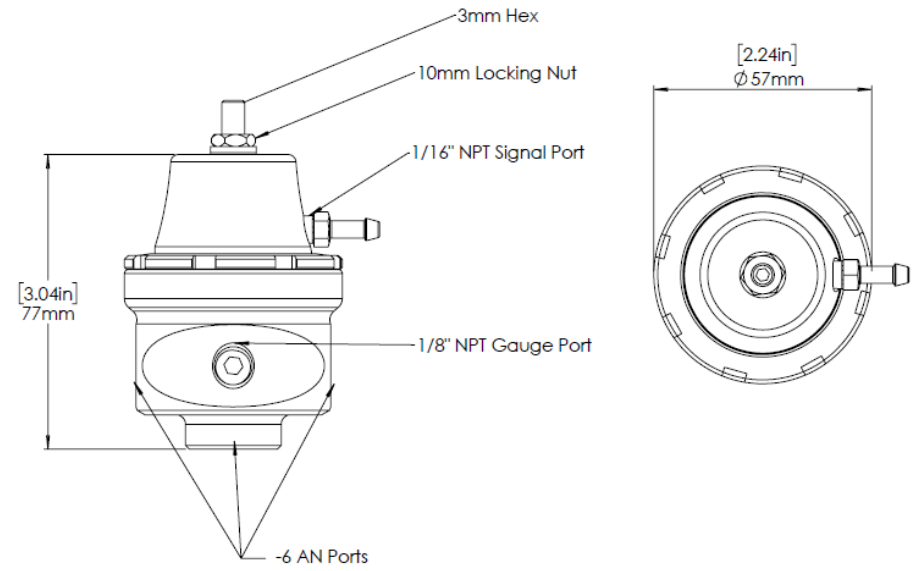
Regulated Flow Data				
L/h @3psig	205	540	1058	2916
L/h @20psig	540	1382	2765	7560
gal/min @3psig	0.9	2.38	4.66	12.84
gal/min @20psig	2.38	6.09	12.17	33.29
Regulation Slope	0.0349kPa/Lh (1.1499psi/Gpm)			

*Power calculated is using industry average values, please allow for some safety margin for your application, if in doubt, the next size up regulator is a safe decision.

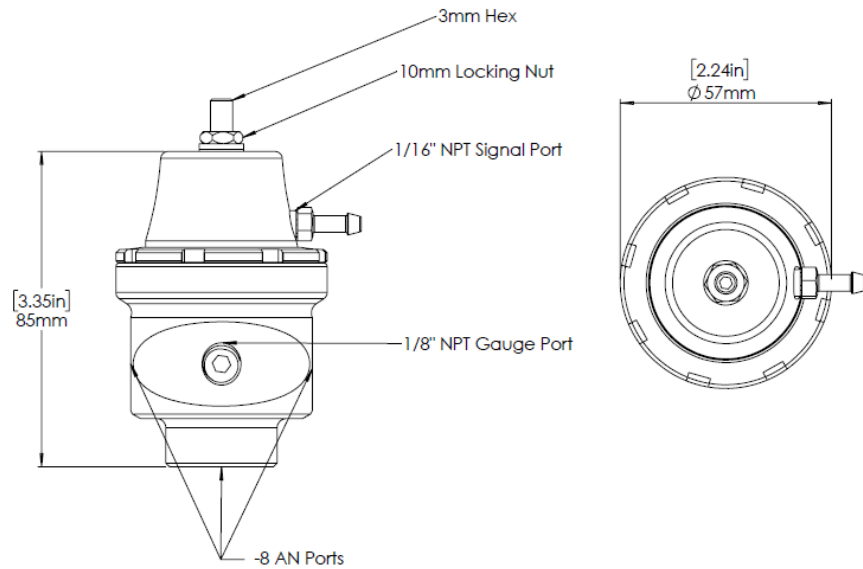
FPR Kompact (1/8" NPT LP) Sleeper



-6AN



-8AN



-10AN

