

FPR Pro Series



Engineered to WIN



The Turbosmart FPR Pro Series provides market leading fuel control and response via true 1:1 ratio and superior flow and bypass capacity for vehicles with -12 / -10 fuel feed and -10 / -8 return fittings. Utilising our Stainless Steel Valve Seat & Milspec Diaphragm the FPR12/10 Pro Series is suitable for all Fuel types including Race Fuel and aggressive leaded fuels. Our FPR12/10 Pro Range is available in Pro EFI (50psi to 130psi) and Pro M (50psi to 100psi) for Mechanical Pump Systems.

- 1/8" NPT gauge fittings
- MILSPEC diaphragm
- Suitable for all fuels
- Non-directional inlet feed logic
- 1:1 true reference pressure ratio
- 50-100psi base pressure adjustable (Mechanical Pump)
- 50-130psi base pressure adjustable (Electric Pump)

Mechanical Data	EFI		Mech	
	-10	-12	-10	-12
Control diameter	12.5mm			
Mass	620g	625g	730g	750g
Horsepower	3000hp	3000hp	3000hp	3000hp
Rating	plus	plus	plus	plus
Safe working pressure max.	1240 kPag / 180 psig / 12 bar			
Actuator life	>10000k cycles @ 180°C ambient			
Piston pressure bias	1:1			
Max. spring base pressure (Mech)	690 kPag // 100 psig // 6.9 bar			
Min. spring base pressure (Mech)	345 kPag // 50psig // 3.45 bar			
Max. spring base pressure (EFI)	896 kPag // 130 psig // 8.97 bar			
Min. spring base pressure (EFI)	344 kPag // 50psig // 3.44 bar			
Port fittings type				
Signal:	1/8NPT	1/8NPT	1/8NPT	1/8NPT
Inlet:	1x-10AN	1x-12AN	1x-10AN	1x-12AN
Outlet:	4x8AN	4x10AN	4x8AN	4x10AN
Return:	1x10AN	1x12AN	1x10AN	1x12AN

Material Data

Beryllium (Be)	0%
Main body	6262 T6 anodised Al.
Valve	Stainless Steel
Valve Seat	Stainless Steel
Elastomers	Viton
Diaphragm	Proprietary MILSPEC
Springs	17-7 Stainless Steel

Order Data

Refer to catalogue for accessories

TS-0404-1242	FPR10 Pro Black
TS-0404-1252	FPR12 Pro Black
TS-0404-1342	FPR10M Pro Black
TS-0404-1352	FPR12M Pro Black
TS-0402-2023	0-100psi Liquid Filled Gauge

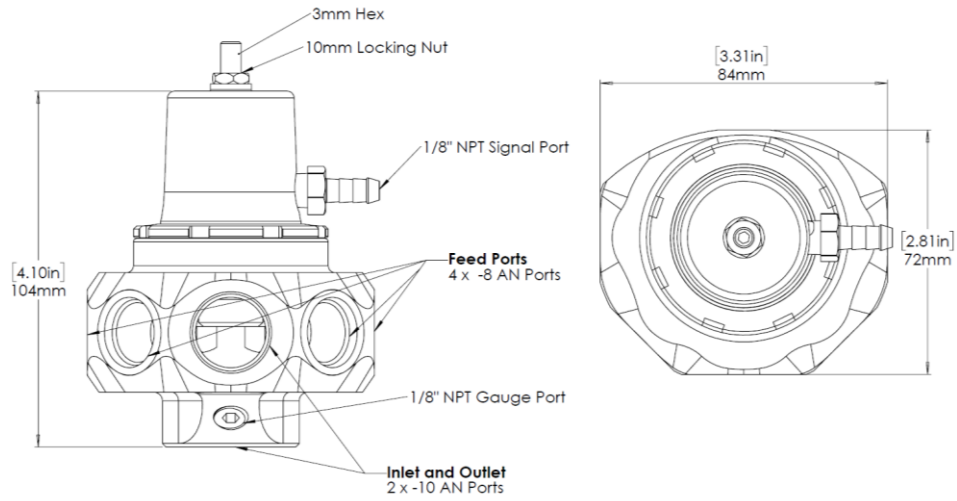
Thermal Data

Min. Operating Temperature	-30°C
Max. Operating Temperature	200°C

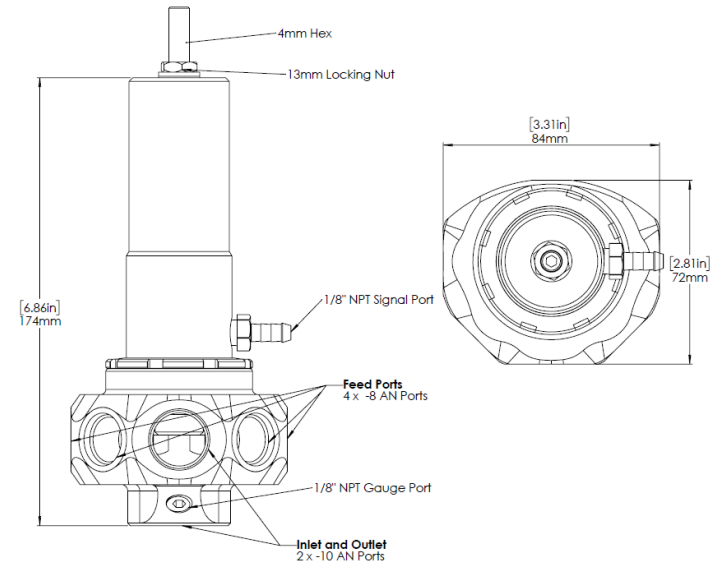
Regulated Flow Data

L/h @50psig	12031
L/h @100psig	17064
gal/min @50psig	52.97
gal/min @100psig	75.13
Regulation Slope	0.0228kPa/Lh (0.7505psi/Gpm)

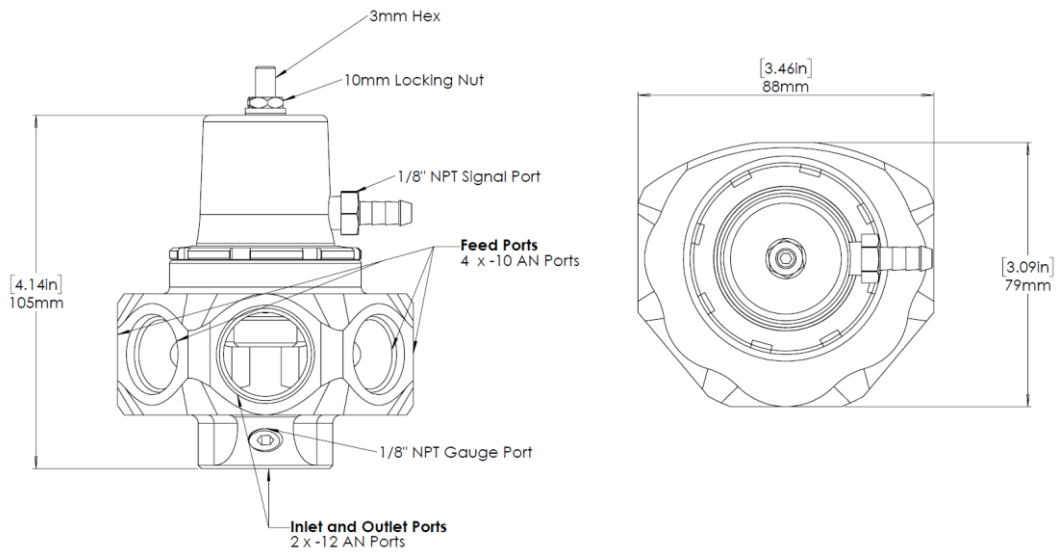
FPR10 Pro



FPR10M - Pro



FPR12 Pro



FPR12M - Pro

