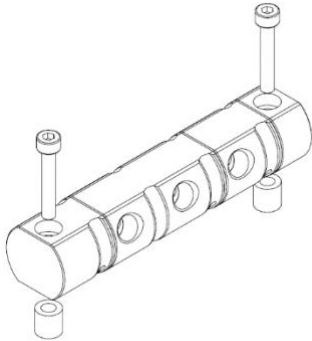


Manifold Blocks



Engineered to WIN



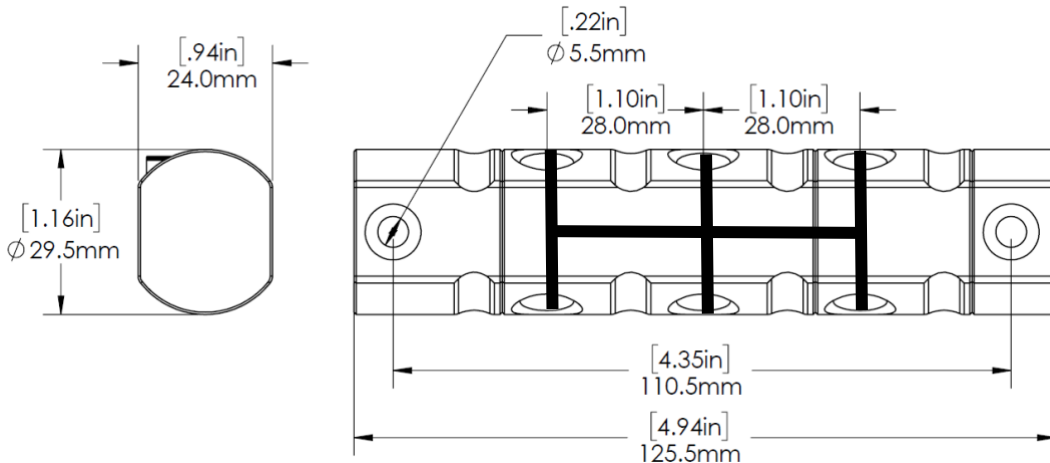
The TurboSmart Manifold Block is a professional solution for remote mounting expensive and delicate sensors away from high vibrations such as engines. Perfect for mounting Manifold pressure sensors, Fuel pressure sensors or any other sources of vacuum or pressure. Anodised in Black

TS-0704-1101/1201/1301 1/8 NPT Ports for such applications as

- Fuel Pressure Sensor
- Manifold Pressure Sensor
- Wastegate
- Blow Off Valve
- Boost Gauge
- Brake Booster

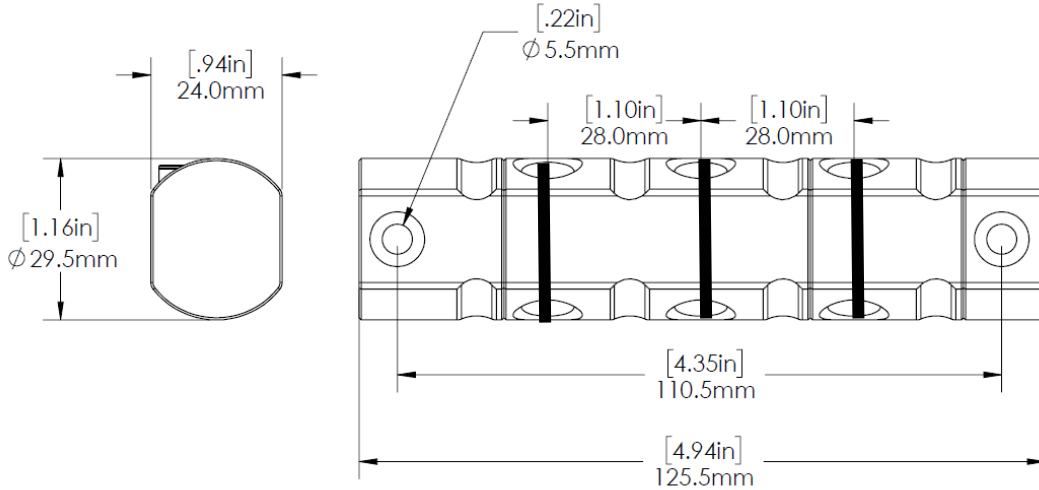
Mechanical Data	TS-0704-1101	TS-0704-1201	TS-0704-1301
Mass	G	G	G
Safe Working Pressure	1240 kPag / 180 psig / 12 bar		
Port Fitting Type			
Inlet	3 x 1/8"NPT	3 x 1/8"NPT	4 x 1/8"NPT
Outlet	3 x 1/8"NPT	3 x 1/8"NPT	4 x 1/8"NPT
	4 x Vacuum	3 x Sensor Ports	2 x Sensor
	Common		4 x Vacuum Common
Included in the Box			
Manifold/Sensor Block	Yes	Yes	Yes
Mount	M6 Bolt and Spacer	M6 Bolt and Spacer	M6 Bolt and Spacer
Blanks	3 x 1/8NPT	3 x 1/8NPT	4 x 1/8NPT
Nipples	3 x 1/8NPT	3 x 1/8NPT	4 x 1/8NPT
Thermal Data	Order Data		
Min Temperature Range	-30°C (-22°F)	TS-0704-1101	Remote Vacuum Distribution Block 6 Way 1/8NPT
Max. Temperature Range	100°C (212°F)	TS-0704-1201	Remote Sensor Block Base 3 Way 1/8 NPT
		TS-0704-1301	Remote Combo Block Sensor and Vacuum 1/8NPT
Material Data			
Beryllium (Be)	0%	TS-0	
Manifold Block	6262 T6 anodised Al.		

TS-0704-1101 Remote Vacuum Distribution Block 6 Way 1/8 NPT – Mount Options/Sensor Logic



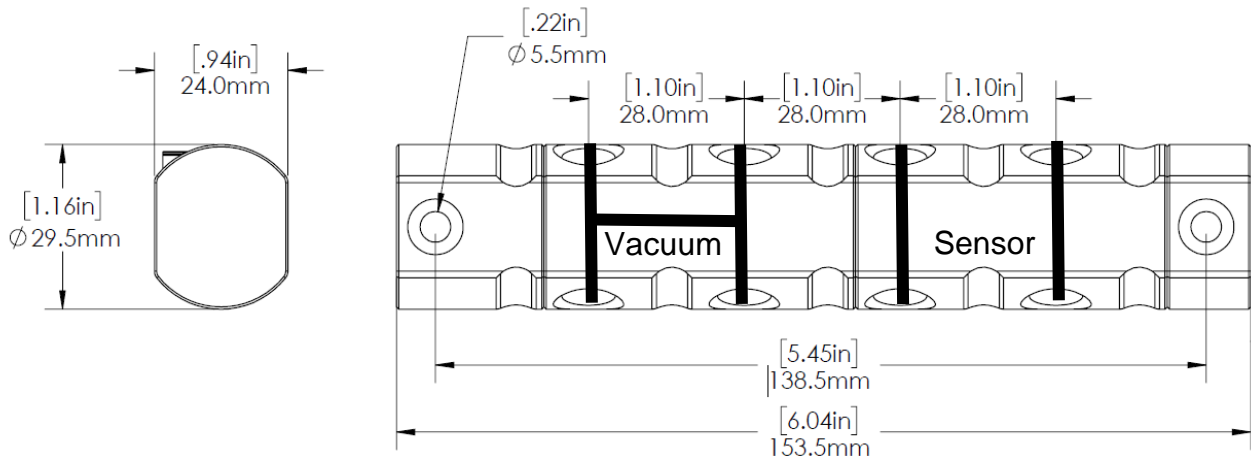
Vacuum source is common shared between all 6 x 1/8 NPT inputs

TS-0704-1201 Remote Sensor Block 3 Way 1/8 NPT – Mount Options/Sensor Logic



Each sensor input has 1 input and 1 sensor output totalling 3 possible inputs

TS-0704-1301 Remote Combo Block Sensor and Vacuum 1/8 NPT– Mount Options/Sensor Logic



Each sensor input has 1 input and 1 sensor output totalling 2 possible inputs. Vacuum is shared between 4 ports.