

Gen V WG40 Compgate40



The Gen-V WG40 Compgate40 external wastegate is a cost effective, high performing 40mm external wastegate. The Gen-V provides extensive user configurability, world leading extended thermal performance, fatigue resistance and best in class flow performance for optimum control and longevity.

- Liquid cooling provision
- Strap type V-band clamps
- User adjustable actuator position
- Modular actuator design
- Motorsport Endurance / Compressed Gas options available

Mechanical Data

Valve diameter	40mm (1.57in)
Mass	784g (1.73lb)
Linearity	-1.13% of full lift (BFSL)
Hysteresis	8.5% of base pressure
Set pressure accuracy	+/- 0.5 psi of base pressure
Safe working pressure max.	220 psi / 1520 kPa / 15 bar
Safe inverted pressure max.	180 psi / 1250 kPa / 12.5 bar
Actuator life	750k cycles @ 180°C (356 °F) ambient 1000k cycles @ 80°C (176 °F) ambient
Actuator/Valve ratio	2.0:1
Max. spring base pressure	26 psi / 180 kPa / 1.8 bar
Min. spring base pressure	3 psi / 21 kPa / 0.2 bar
Port fittings type	Air: 2x 1/8" NPT top chamber Air: 2x 1/8" NPT lower chamber Liquid Cooling: 2x 1/8" NPT

Thermal Data

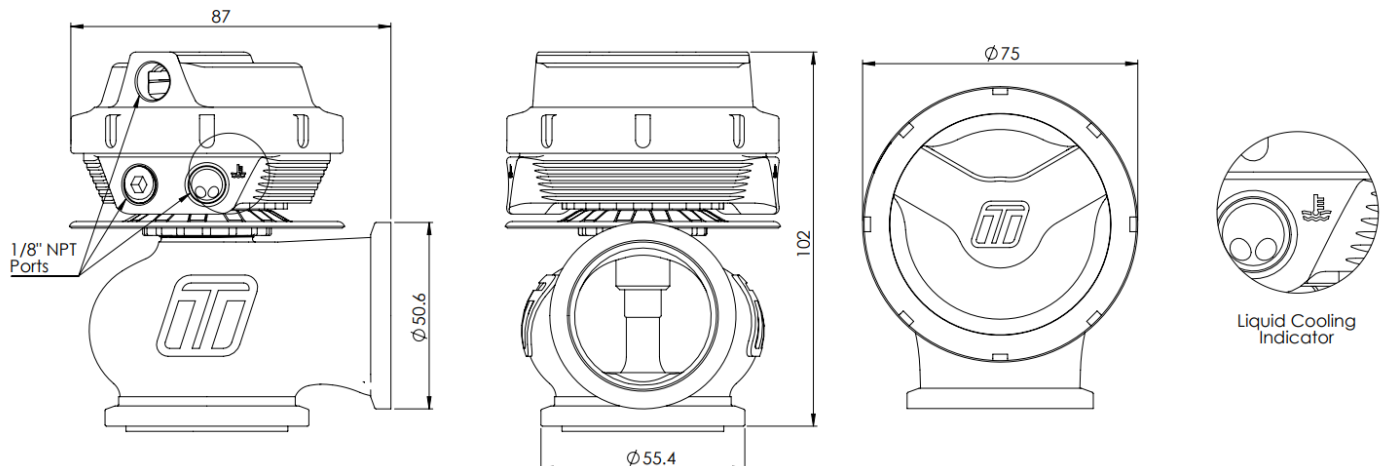
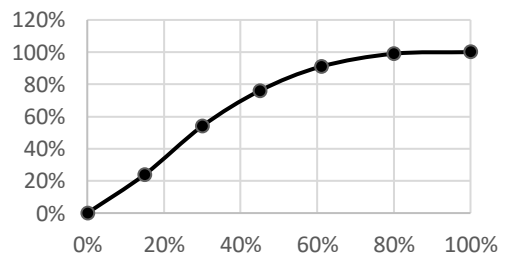
Max. thermal stress (non-cooled)*	>30min @ 1250°C (2282°F) EGT continuous
Max. thermal stress (h2O cooled)*	>24hr @ 1250°C (2282°F) EGT continuous
Max. ambient/compartament temp.	260°C / 500°F
Max. actuator temp.	310°C / 590°F

Material Data

Beryllium (Be)	0%
Main Body	High temp 347 SS
Diaphragm	Proprietary Silicone w/ nomex
Actuator housing	6061 T6 anodised Al.
Valve Guide	Nitronic 60
Valve	EV8 w/ proprietary plating
V-Band	Heat treated 431 SS w/ 18-8 nut
Weld Flanges	304 Stainless Steel
Springs	17-7PH Stainless Steel

Flow Data

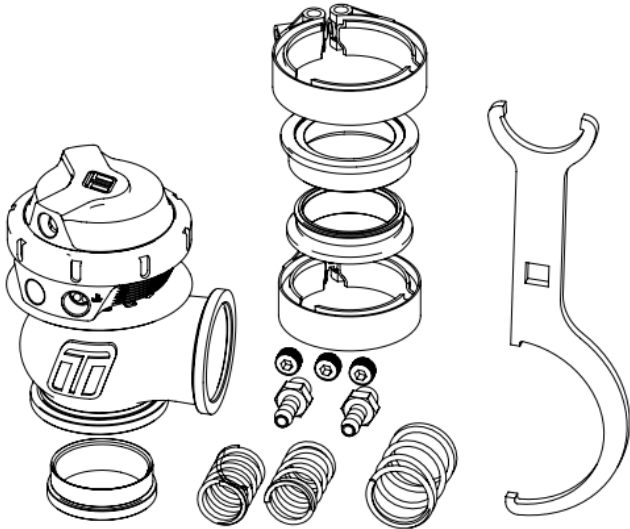
Max. Flow	165.4 CFM/4.53 m ³ /min @1psidP
Flow Linearity	-15% of full lift (BFSL)



*Continual source of minimum 1250°C exhaust gas, with no cool down periods for at least 30minutes and no external air cooling on actuator, this is a destructive test that an ICE engine cannot support. Contact tech support for further information.

Included in the Box

- Wastegate unit (pre-assembled with spring as per order)
- SS316 Valve seat
- Inlet V-Band
- Inlet SS304 weld flange
- Outlet V-Band
- Outlet SS304 weld flange
- Collar tool (master/slave)
- 17-7PH 3, 5, 7, 14 psi spring kit (1x spring installed)
- 4x 1/8" NPT plugs (1x installed) / 2x 1/8" NPT nipples
- Sticker
- Instruction card



Order Data

- TS-0552-1001 Gen-V WG40 Compgate 40 7psi Blue
- TS-0552-1002 Gen-V WG40 Compgate 40 7psi Black
- TS-0552-1011 Gen-V WG40 Compgate 40 14psi Blue
- TS-0552-1012 Gen-V WG40 Compgate 40 14psi Black

Accessories

- TS-0552-3001 WG40 Valve Seat
- TS-0552-3002 WG40 Valve & Guide Set
- TS-0552-3003 WG40 Inlet V-Band
- TS-0552-3004 WG40 Outlet V-Band
- TS-0505-3001 WG40 Inlet Weld Flange
- TS-0505-3002 WG40 Outlet Weld Flange
- TS-0550-3150 GenV WG38/40 Spring Replacement Kit
- TS-0550-3022 GenV WG38/40 Complete Sensor Cap Black
- TS-0550-3004 GenV WG38/40 Diaphragm Replacement Kit
- TS-0550-3013 GenV WG38/40 Actuator Collar Tool

Refer to catalogue for further accessories

Install Req.

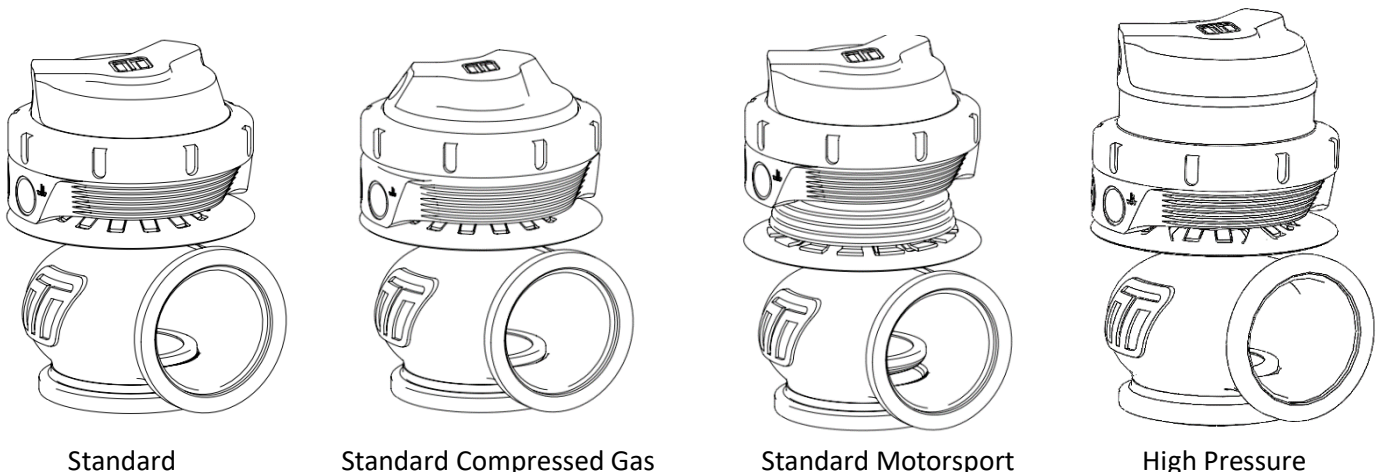
- Inlet Pipe Suits 44.45mm/1.75" OD
- Outlet Pipe Suits 44.45mm/1.75"OD or 38.30mm/1.50" OD
- Port Tube 6mm / 0.236"
- Min. ID

Spring Data

Master Collar Size	Spring Pressure			
	3psi	5psi	7psi	14psi
74mm	Black	Grey	Pink	Red

Location	Inner	Inner	Middle	Outer	
Pressure	3psi	5psi	7psi	14psi	
Boost Pressure	3psi	•			
	5psi		•		
	7psi			•	
	10psi	•		•	
	12psi		•	•	
	14psi				•
	17psi	•			•
	19psi		•		•
	21psi			•	•
	24psi	•		•	•
	26psi		•	•	•

Configurations Available



Standard

Standard Compressed Gas

Standard Motorsport

High Pressure